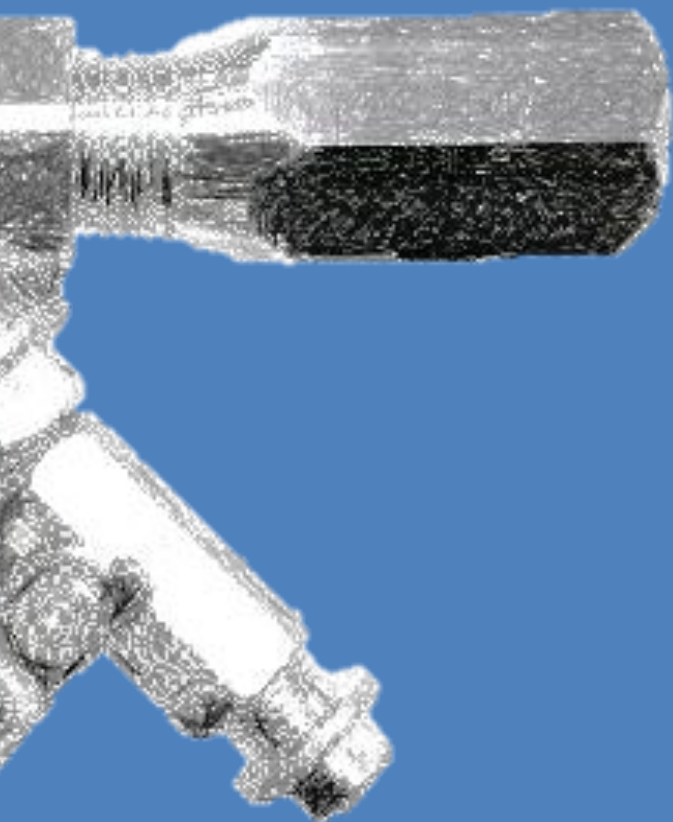


ORIFICE TYPE STEAM TRAP

# O-TRAP

---



SUS  
Technoworks,  
Inc.



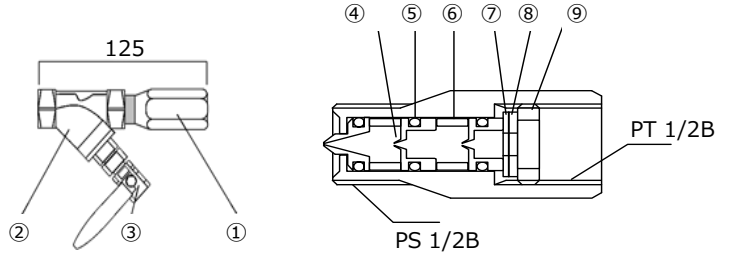
LOW PRESS. TYPE

SMALL CAP. TYPE



DRAINAGE CAP. 675.5kg/h  
DIFFERENTIAL PRESS. 1.0Mpa

**15A TYPE (O-TRAP No.0 ~ No.9)**  
MAX PRESS.1.6Mpa·G / MAX TEMP.200℃



NUMBER	PART NAME	MATERIAL
①	BODY	SUS303
②	Y-STRAINER	SCS14A
③	BALL VALVE	SCS14A
④ ⑥	ORIFICE·SPACER	SUS303
⑤	O RING	VITON
⑦ ⑧	SPG·WASHER	SUS304
⑨	BUSHING	SUS304

MEDIUM PRESS.  
SMALL CAP. TYPE

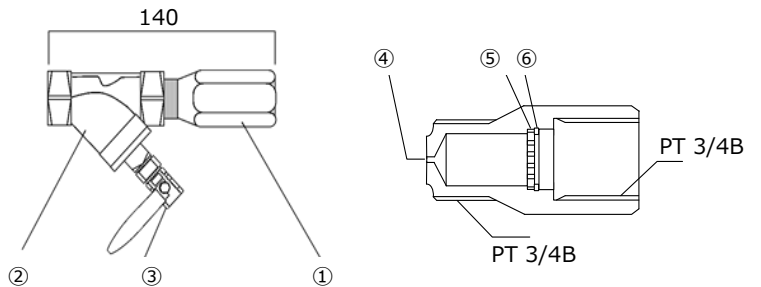
HIGH PRESS.  
LARGE CAP. TYPE

MEDIUM CAP. TYPE



DRAINAGE CAP. 3,175kg/h  
DIFFERENTIAL PRESS. 1.0Mpa

**20A TYPE (O-TRAP No.10 ~ No.19)**  
MAX PRESS.1.6Mpa·G / MAX TEMP.200℃

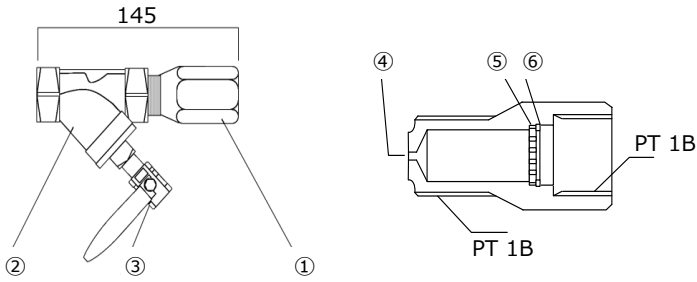


NUMBER	PART NAME	MATERIAL
① ④	BODY	SUS303
②	Y-STRAINER	SCS14A
③	BALL VALVE	SCS14A
⑤	MULTI ORIFICE	SUS304
⑥	SNAP RING	SUS304

ULTRA LARGE  
CAP. TYPE

# 25A TYPE (O-TRAP No.20 ~ No.26)

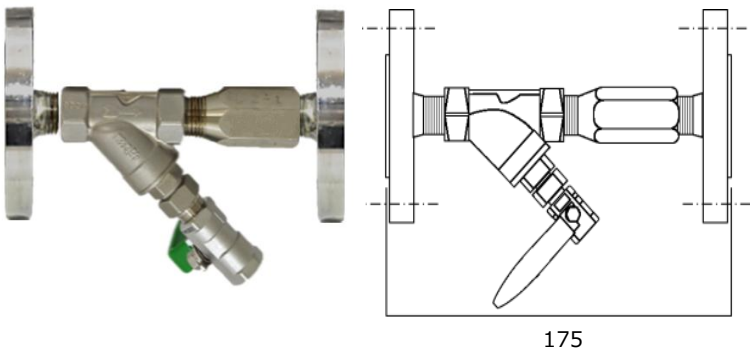
MAX PRESS.1.6Mpa·G / MAX TEMP.200°C



NUMBER	PART NAME	MATERIAL
① ④	BODY	SUS303
②	Y-STRAINER	SCS14A
③	BALL VALVE	SCS14A
⑤	MULTI ORIFICE	SUS304
⑥	SNAP RING	SUS304

● MAIN DIMENSION-FLANGE CONNECTION TYPE (JIS-10K·RF)

SIZE	FLANGE		BOLT HOLE		
	D	t	C	n	h
15	95	12	70	4	15
20	100	14	75	4	15
25	125	14	90	4	19
32	135	16	100	4	19
40	140	16	105	4	19
50	155	16	120	4	19
65	175	18	140	4	19
80	185	18	150	8	19



L mm	15A TYPE	20A TYPE	25A TYPE
		175	195

※Inquiries on matters other than the above are also welcome. Please feel free to contact us.

LARGE CAP. TYPE



DRAINAGE CAP. 7,510kg/h  
DIFFERENTIAL PRESS. 1.0Mpa

LOW PRESS. TYPE

MEDIUM PRESS. SMALL CAP. TYPE

HIGH PRESS. CAP. TYPE

ULTRA LARGE CAP. TYPE

LOW PRESS. TYPE



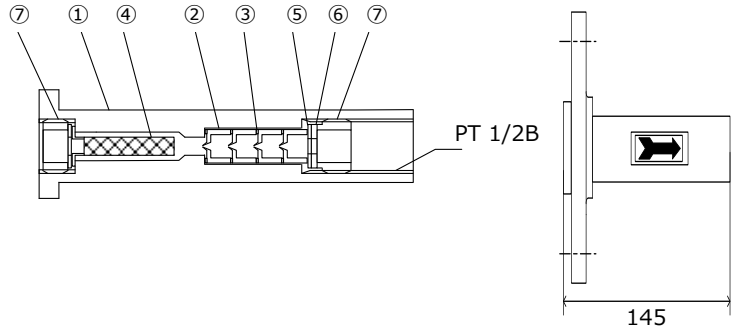
DRAINAGE CAP. 993.0kg/h  
DIFFERENTIAL PRESS. 10.0Mpa

MEDIUM PRESS.  
SMALL CAP. TYPE

HIGH PRESS.  
LARGE CAP. TYPE

ULTRA LARGE  
CAP. TYPE

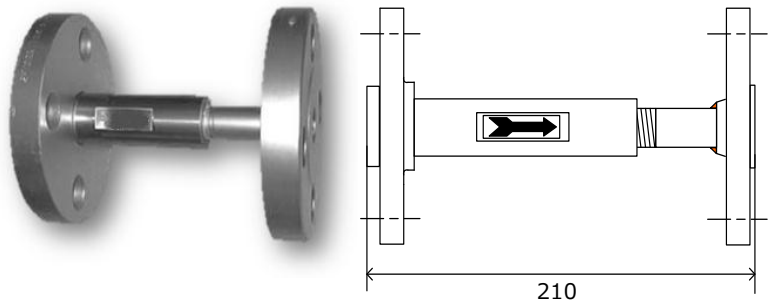
## O-TRAP M No.1 / No.2 MAX PRESS.20.0Mpa·G / MAX TEMP.400°C



NUMBER	PART NAME	MATERIAL
①	BODY	SUS304
②	ORIFICE	SUS316
③	GASKET	SUS304
④	FILTER	SUS304
⑤ ⑥	SPG·WASHER	SUS304
⑦	BUSHING	SUS304
	LAPFRANGE	A105

### ● MAIN DIMENSION-FLANGE CONNECTION TYPE (JPI-600LB·RF)

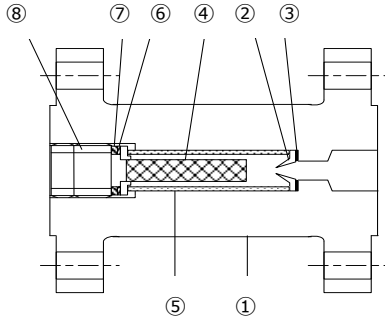
SIZE	FLANGE		BOLT HOLE		
	B	O	Q	C	n
1/2	95	14.5	66.5	4	16
3/4	117	16	82.5	4	19
1	124	18	88.9	4	19
1 1/4	133	21	98.6	4	19
1 1/2	155	22.5	114.3	4	22
2	165	25.5	127	8	19
2 1/2	190	28.5	149.4	8	22



L mm	210
------	-----

# O-TRAP H

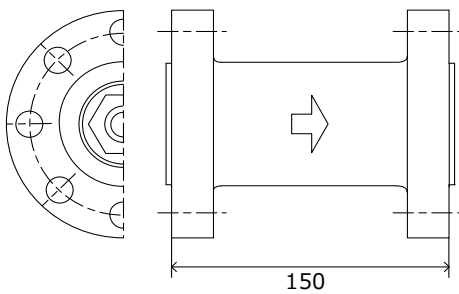
MAX PRESS.20.0Mpa·G / MAX TEMP.500°C



NUMBER	PART NAME	MATERIAL
①	BODY	SUS304
②	ORIFICE	SUS304
③	GASKET	SUS304
④	FILTER	SUS304
⑤	SPACER	SUS304
⑥ ⑦	SPG·WASHER	SUS304
⑧	BUSHING	SUS304

● FLANGE STANDARD

STANDARD	CLASS	NOMINAL DIAMETER
JIS	10K - 63K	25A - 200A
JPI·ANSI	150LB - 2500LB	1B - 8B



L mm	150
------	-----



DRAINAGE CAP. 15,932kg/h  
DIFFERENTIAL PRESS. 4.5Mpa

LOW PRESS. TYPE

MEDIUM PRESS. SMALL CAP. TYPE

HIGH PRESS. CAP. TYPE

ULTRA LARGE CAP. TYPE

LOW PRESS. TYPE



DRAINAGE CAP. ∞ kg/h  
DIFFERENTIAL PRESS. 4.0Mpa

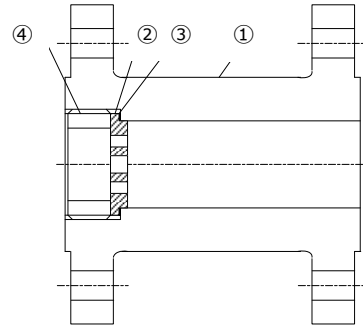
MEDIUM PRESS.  
SMALL CAP. TYPE

HIGH PRESS.  
LARGE CAP. TYPE

ULTRA LARGE  
CAP. TYPE

## O-TRAP EL

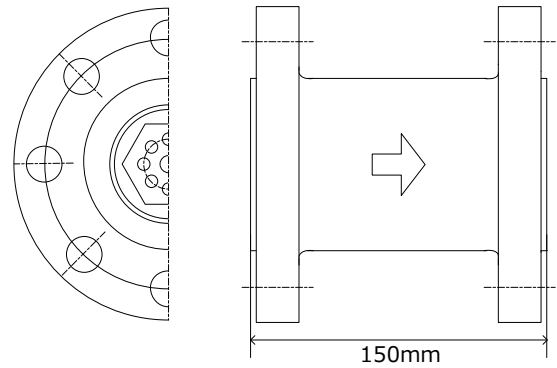
MAX PRESS.20.0Mpa·G / MAX TEMP.500°C



NUMBER	PART NAME	MATERIAL
①	BODY	SUS304
②	ORIFICE	SUS304
③	GASKET	SUS304
④	BUSHING	SUS304

● FLANGE STANDARD

STANDARD	CLASS	NOMINAL DIAMETER
JIS	10K - 63K	25A - 200A
JPI·ANSI	150LB - 2500LB	1B - 8B



L mm	150
------	-----

## **SUS Technoworks, Inc.**

Minamihashi Bldg.1F,3-22-3,Higashi-  
koiwa,Edogawa-ku,Tokyo 133-0052 JAPAN

If you have any questions, please feel free to contact us.

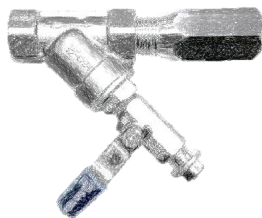
TEL. +81-3-3657-2197

FAX. +81-3-6657-9366

MAIL. [sus-technoworks@notice-sus.co.jp](mailto:sus-technoworks@notice-sus.co.jp)

OPERATING HOURS / 10:00a.m. – 10:00p.m. (Mon to Fri)

Copyright © 2018 SUS Technoworks, Inc. All Right Reserved



»»NOTICE  
**TRAP**